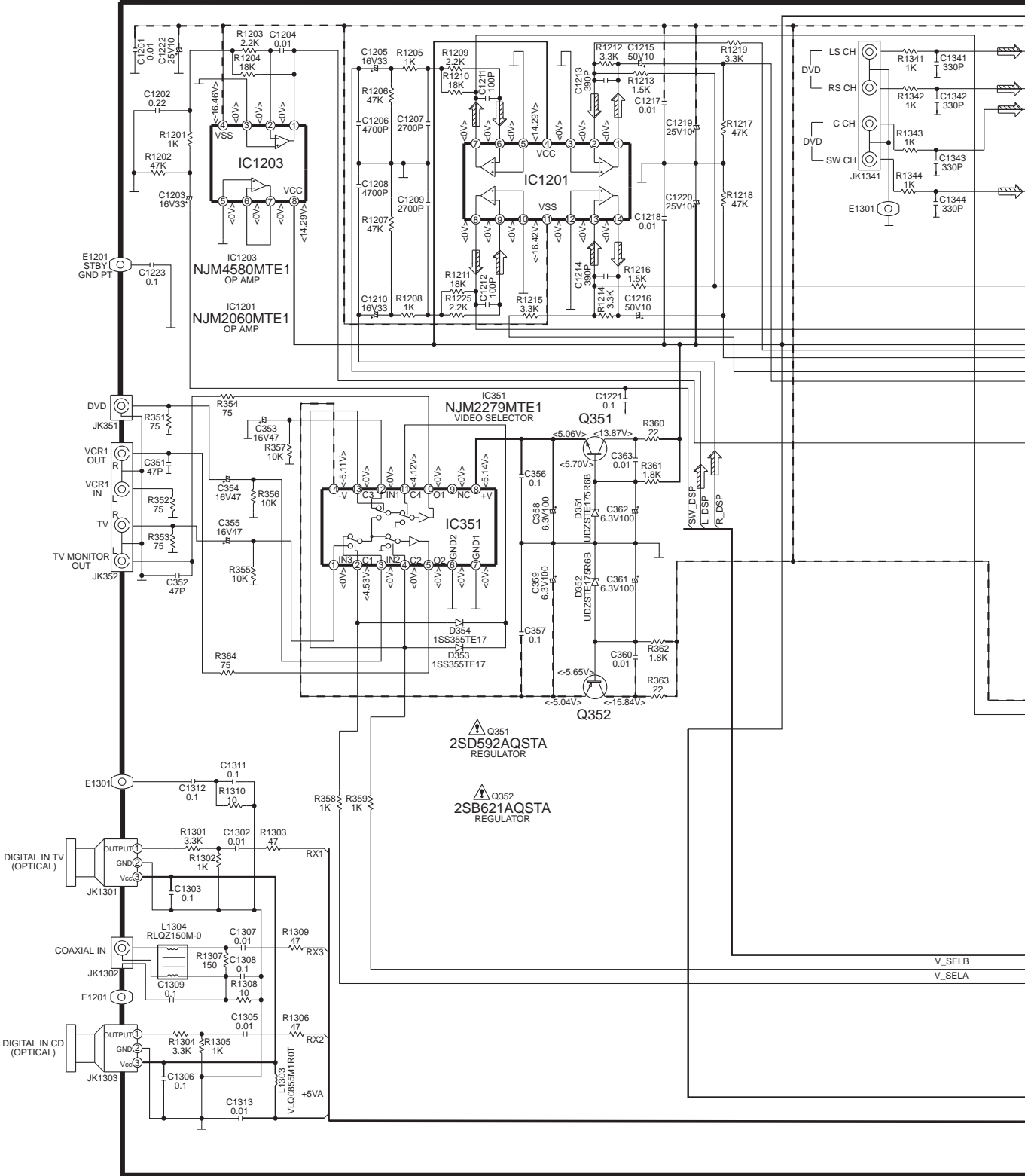


SCHEMATIC DIAGRAM - 1

— : +B SIGNAL LINE - - - : -B SIGNAL LINE ⇨ : MAIN SIGNAL LINE

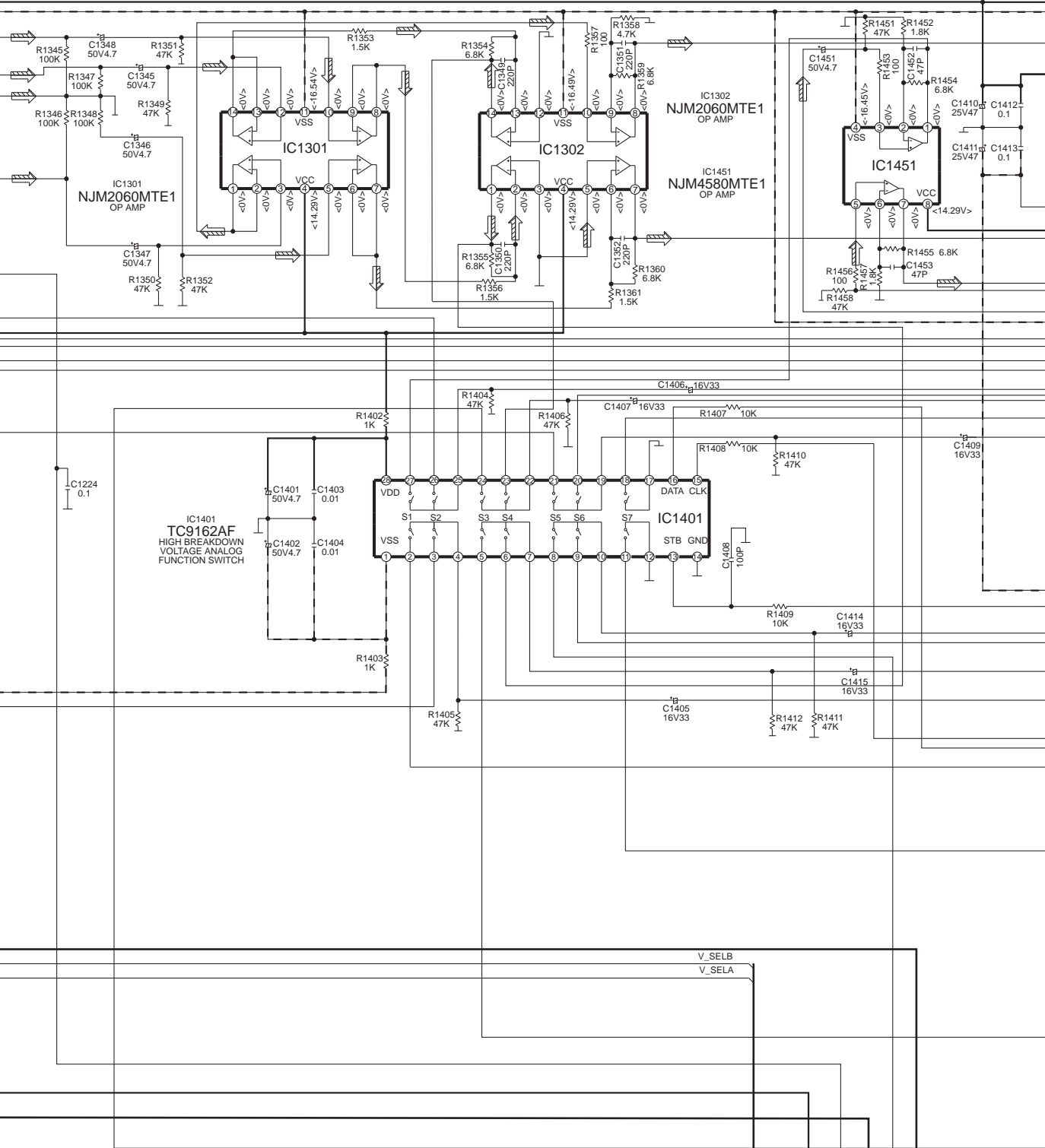
A DIGITAL CIRCUIT



SCHEMATIC DIAGRAM - 2

— : +B SIGNAL LINE - - - : -B SIGNAL LINE ⇨ : MAIN SIGNAL LINE

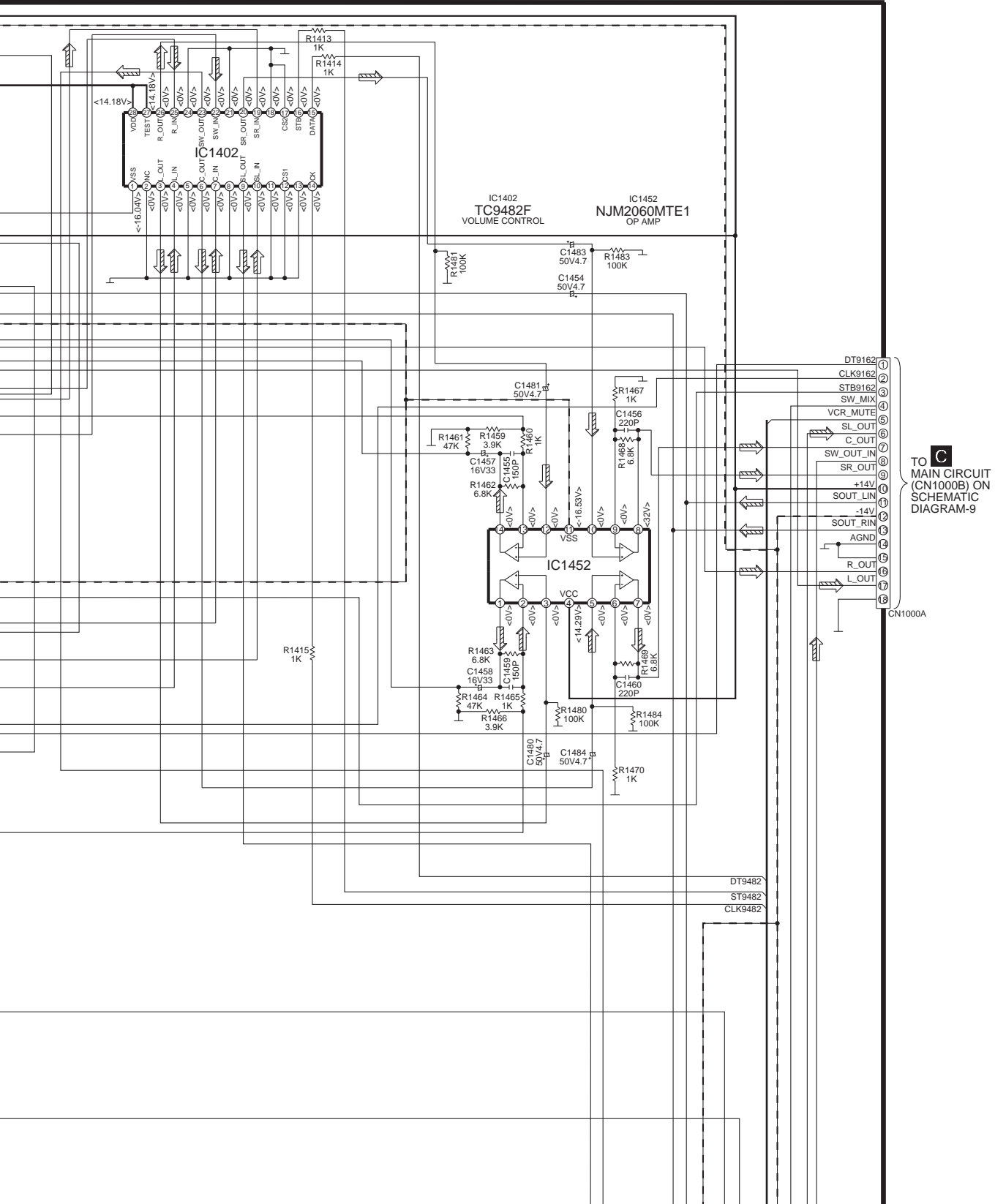
A DIGITAL CIRCUIT



SCHEMATIC DIAGRAM - 3

— : +B SIGNAL LINE - - - : -B SIGNAL LINE ⇨ : MAIN SIGNAL LINE

A DIGITAL CIRCUIT

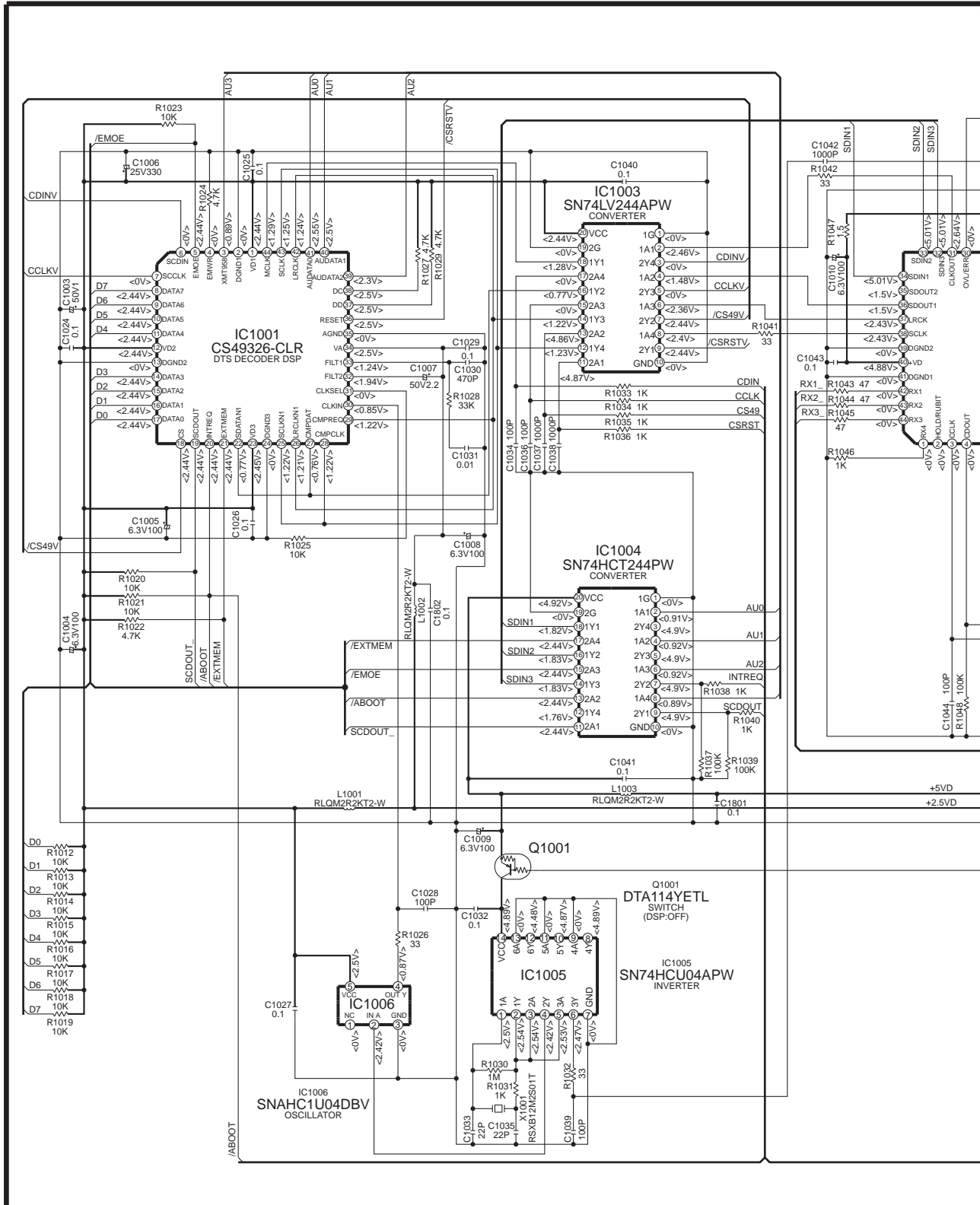


C TO MAIN CIRCUIT (CN1000B) ON SCHEMATIC DIAGRAM-9

SCHEMATIC DIAGRAM - 4

— : +B SIGNAL LINE

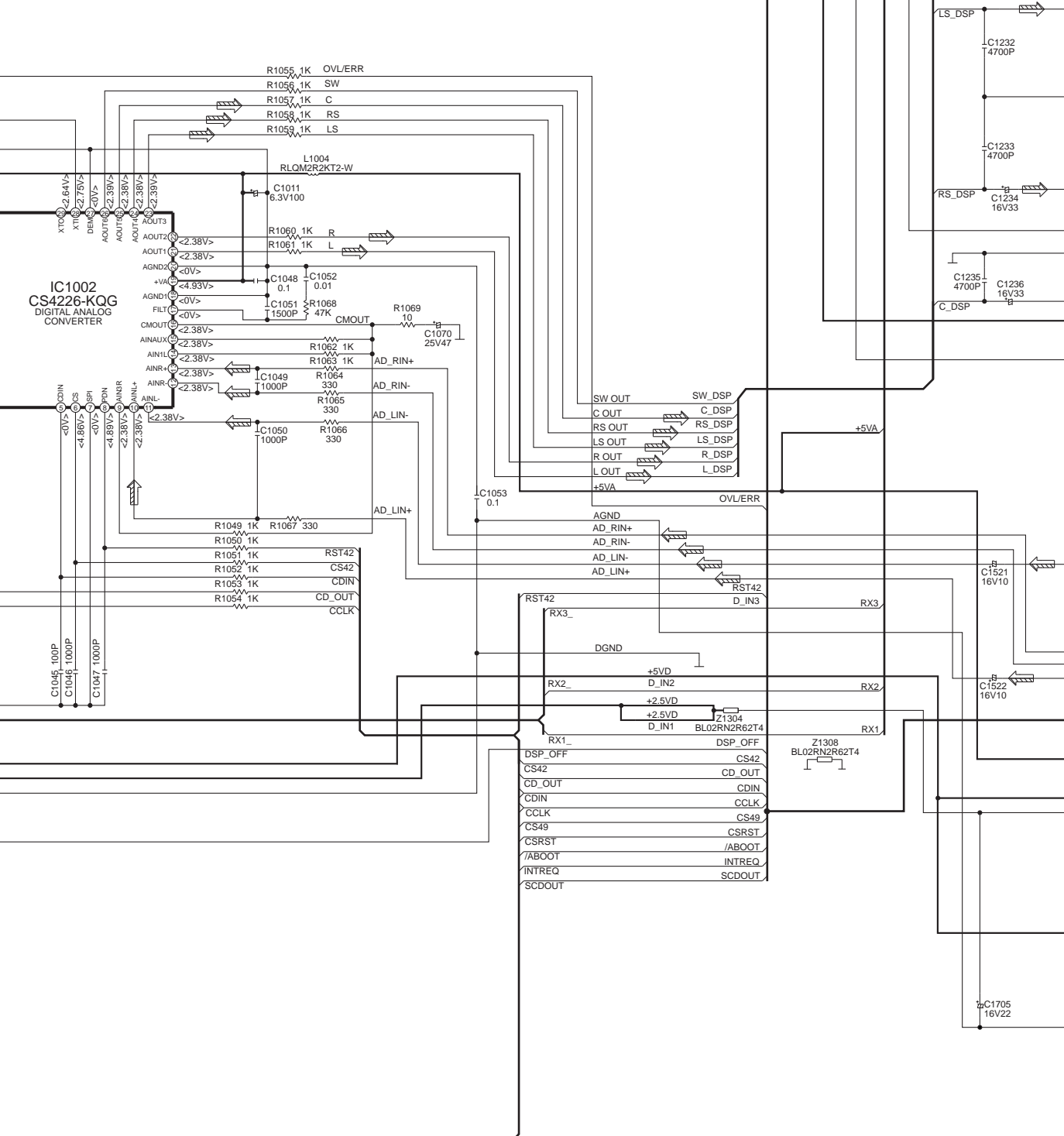
A DIGITAL CIRCUIT



SCHEMATIC DIAGRAM - 5

— : +B SIGNAL LINE ⇨ : MAIN SIGNAL LINE

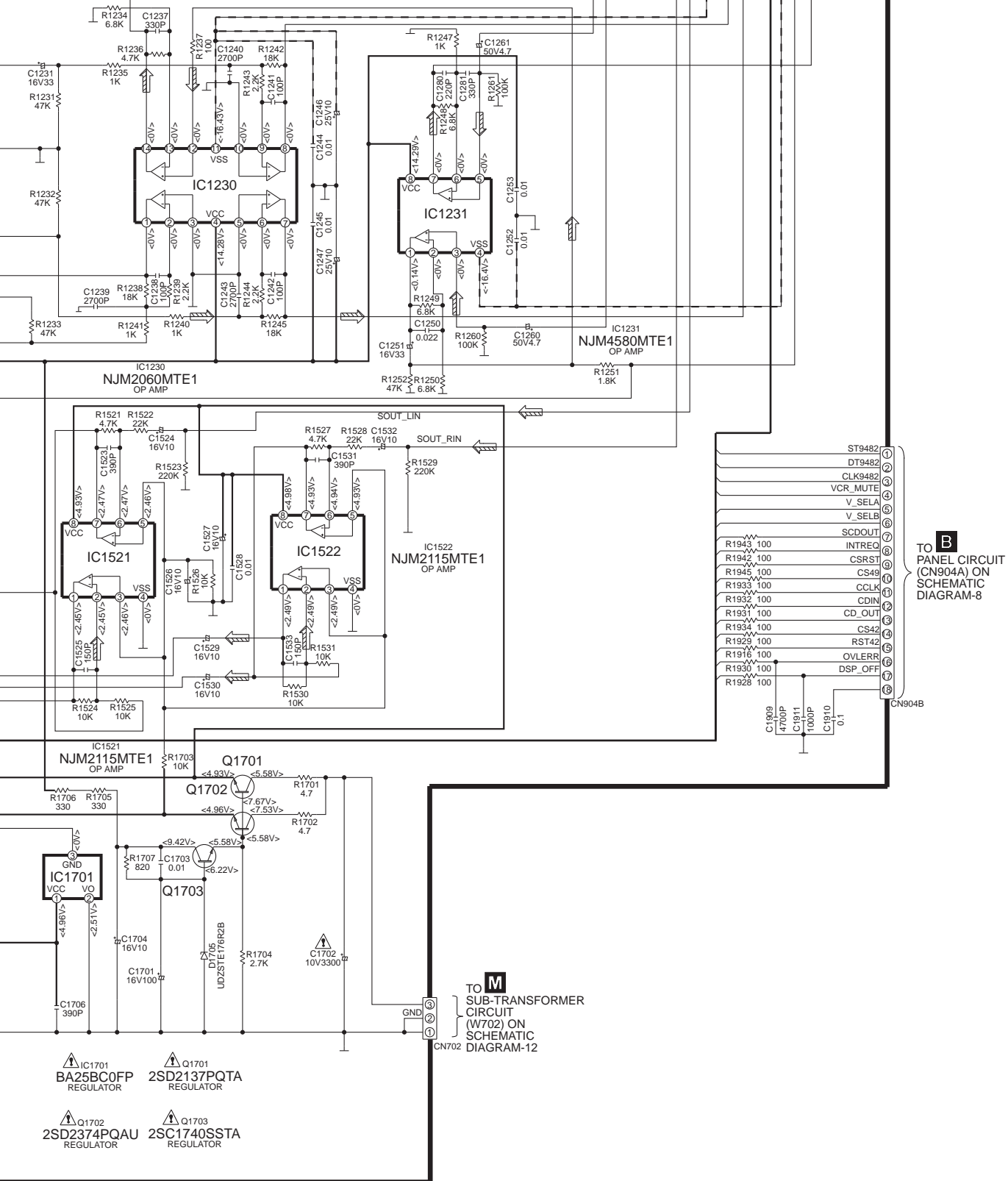
A DIGITAL CIRCUIT



SCHEMATIC DIAGRAM - 6

— : +B SIGNAL LINE - - - : -B SIGNAL LINE ⇨ : MAIN SIGNAL LINE

A DIGITAL CIRCUIT



TO **B** PANEL CIRCUIT (CN904A) ON SCHEMATIC DIAGRAM-8

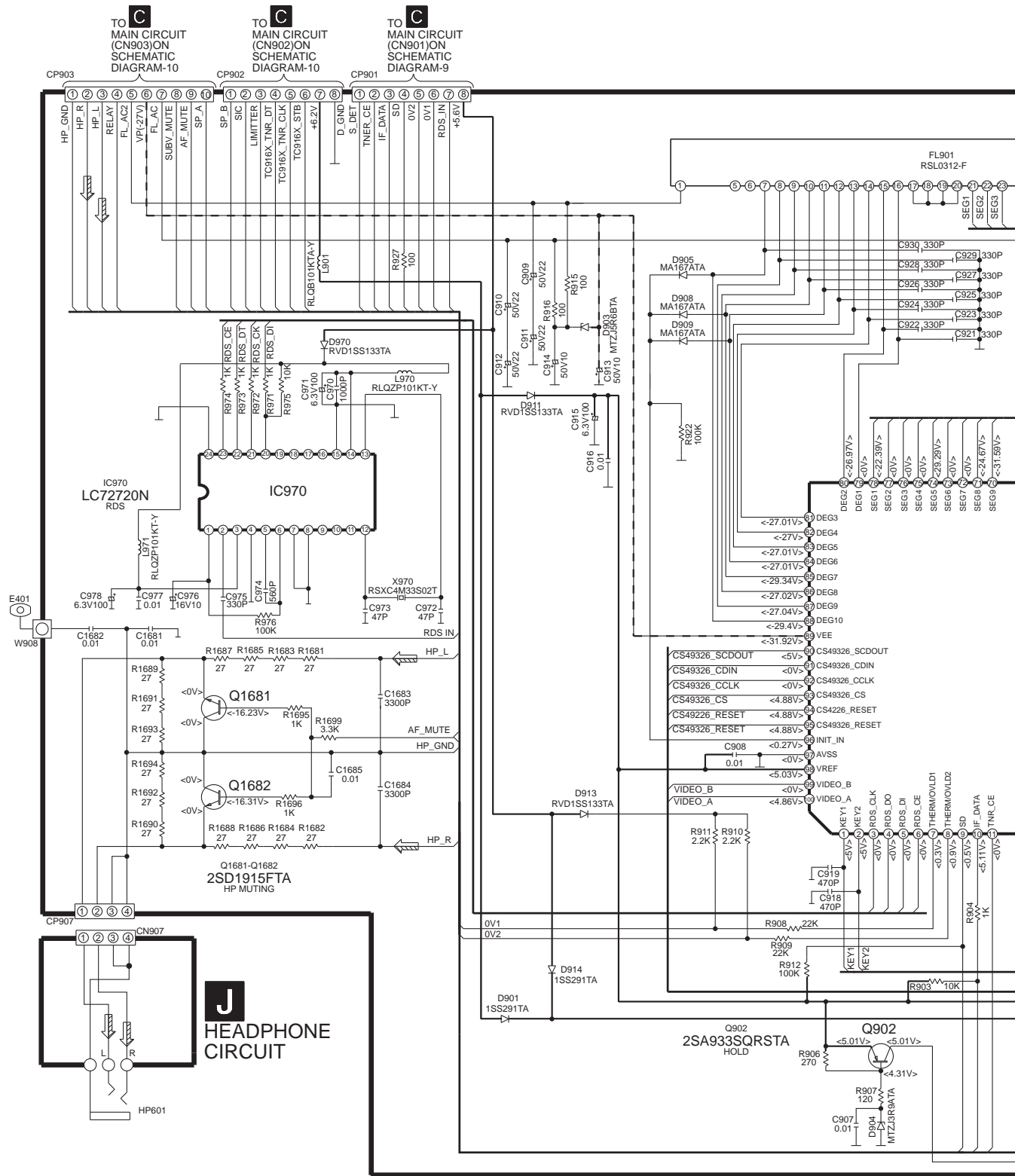
TO **M** SUB-TRANSFORMER CIRCUIT (W702) ON SCHEMATIC DIAGRAM-12

- IC1701 BA25BC0FP REGULATOR
- Q1701 2SD2137PQTA REGULATOR
- Q1702 2SD2374PQAU REGULATOR
- Q1703 2SC1740SSTA REGULATOR

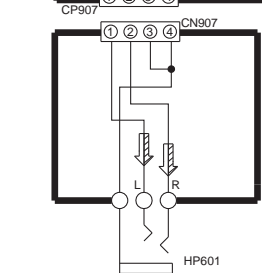
SCHEMATIC DIAGRAM - 7

— : +B SIGNAL LINE - - - : -B SIGNAL LINE ⇨ : MAIN SIGNAL LINE

B PANEL CIRCUIT

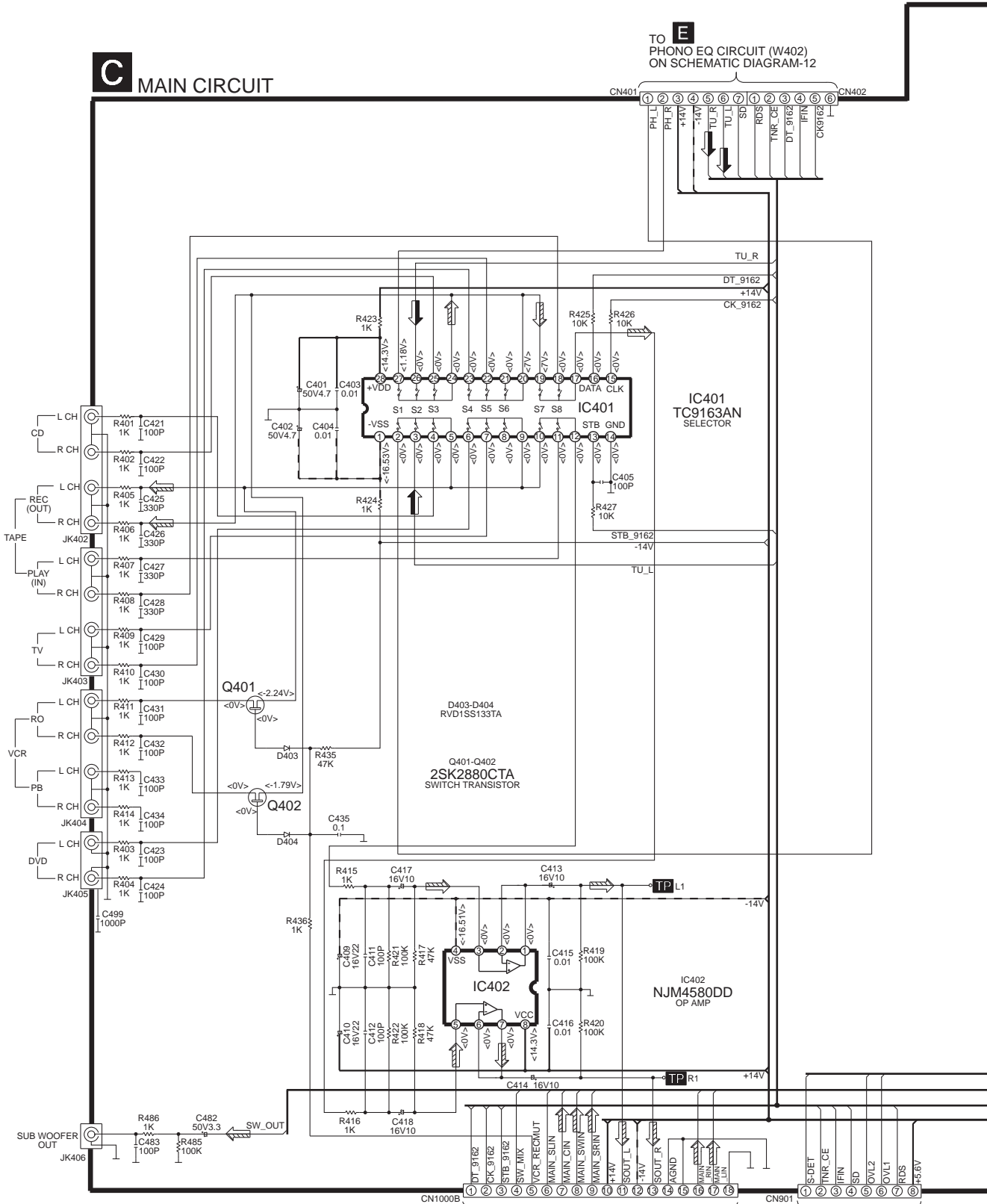


J HEADPHONE CIRCUIT



SCHEMATIC DIAGRAM - 9

— : +B SIGNAL LINE - - : -B SIGNAL LINE ➡ : FM/AM SIGNAL LINE ⇨ : MAIN SIGNAL LINE



TO **A** DIGITAL CIRCUIT (CN1000A) ON SCHEMATIC DIAGRAM-3

TO **B** PANEL CIRCUIT (CP901) ON SCHEMATIC DIAGRAM-7

SCHEMATIC DIAGRAM - 10

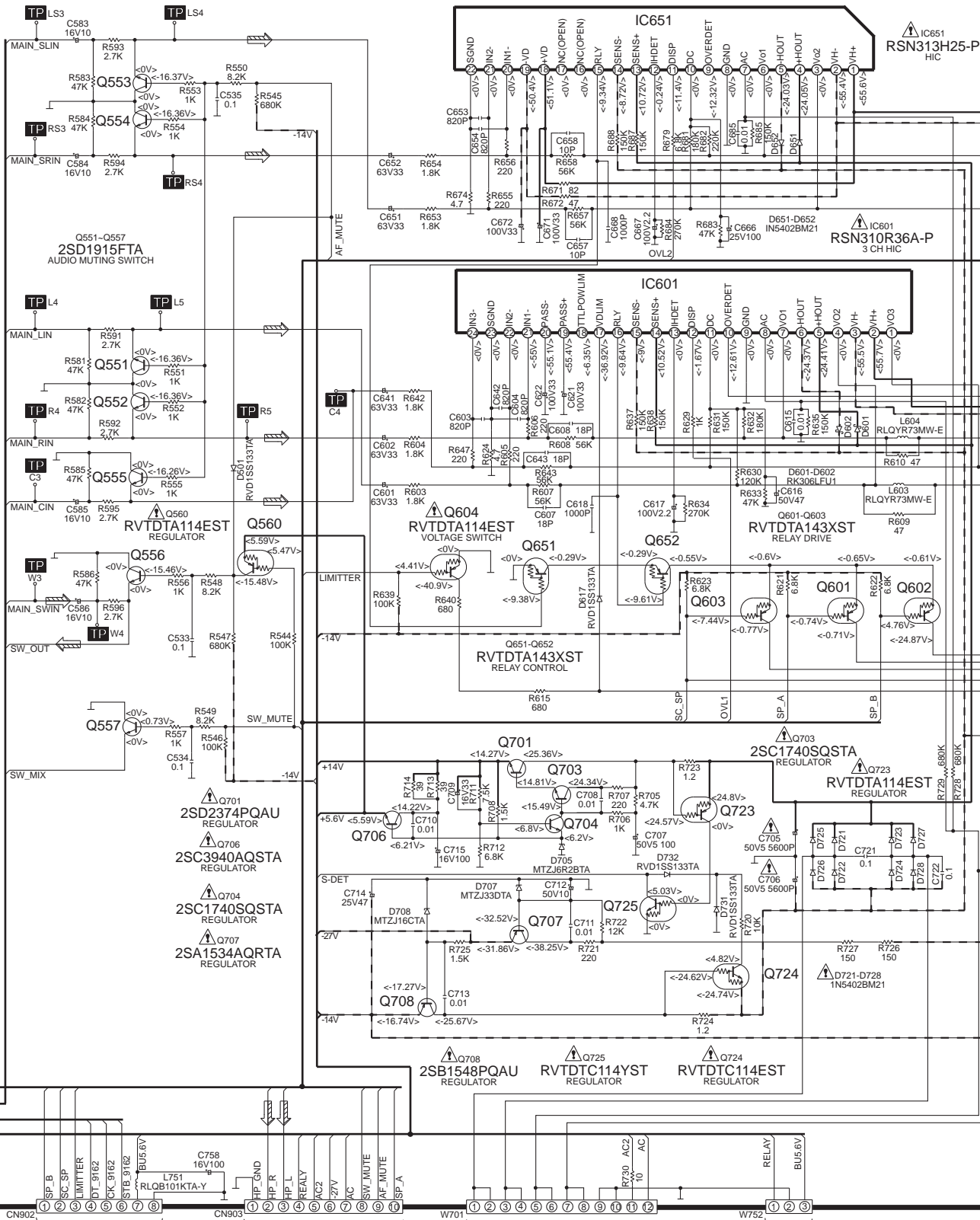


MAIN CIRCUIT

— : +B SIGNAL LINE

- - - : -B SIGNAL LINE

⇒ : MAIN SIGNAL LINE



TO **B** PANEL CIRCUIT (CP902) ON SCHEMATIC DIAGRAM-7

TO **B** PANEL CIRCUIT (CP903) ON SCHEMATIC DIAGRAM-7

TO **M** SUB-TRANSFORMER CIRCUIT (W701) ON SCHEMATIC DIAGRAM-12

TO **F** TRANSFORMER CIRCUIT (W752) ON SCHEMATIC DIAGRAM-12

SCHEMATIC DIAGRAM - 12

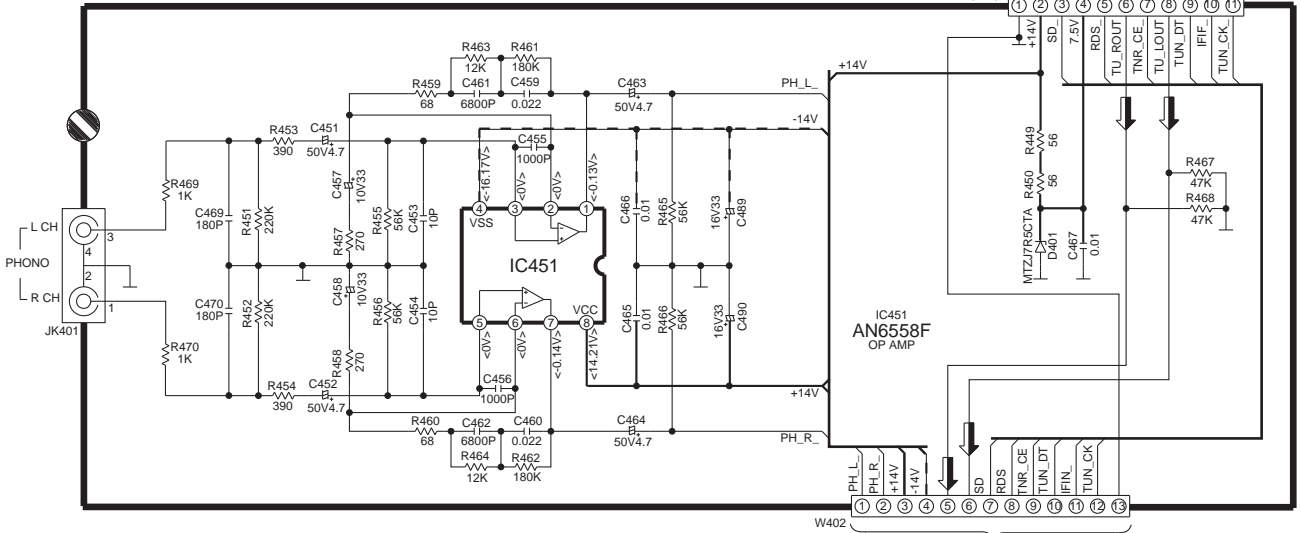
— : +B SIGNAL LINE

- - - : -B SIGNAL LINE

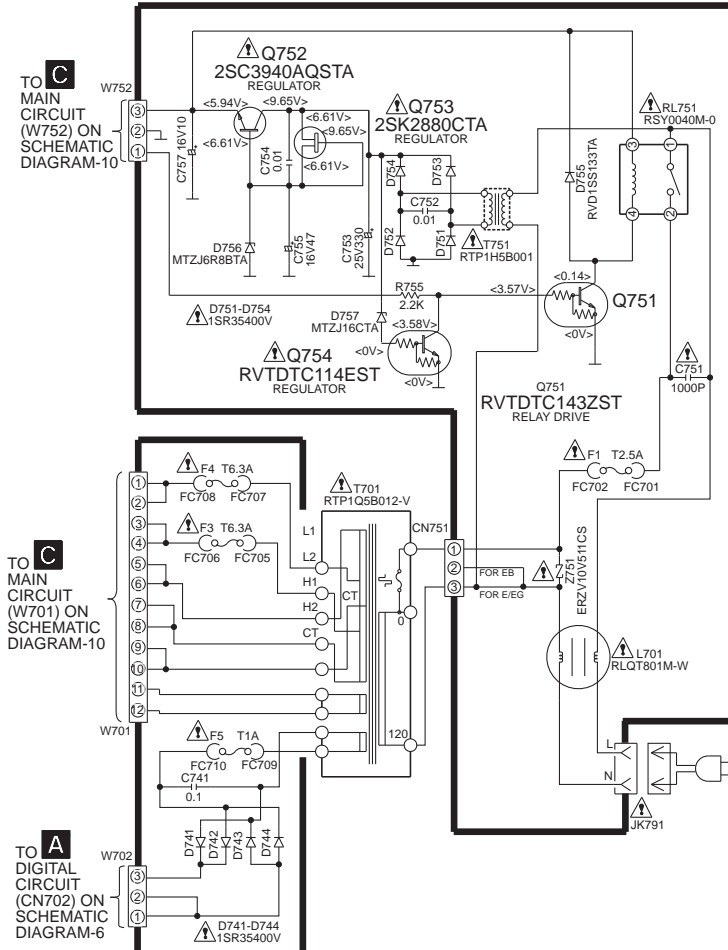
➡ : FM/AM SIGNAL LINE

TO **L**
TUNER PACK
(RAN002EM)

E PHONO EQ CIRCUIT

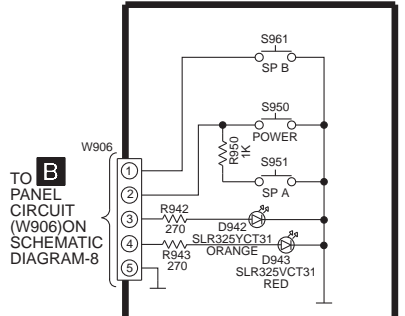


F TRANSFORMER CIRCUIT



TO **C**
MAIN CIRCUIT
(CN401/CN402) ON
SCHEMATIC DIAGRAM-9

H SWITCH CIRCUIT



TO **B**
PANEL CIRCUIT
(W906) ON
SCHEMATIC DIAGRAM-8

M SUB-TRANSFORMER CIRCUIT

